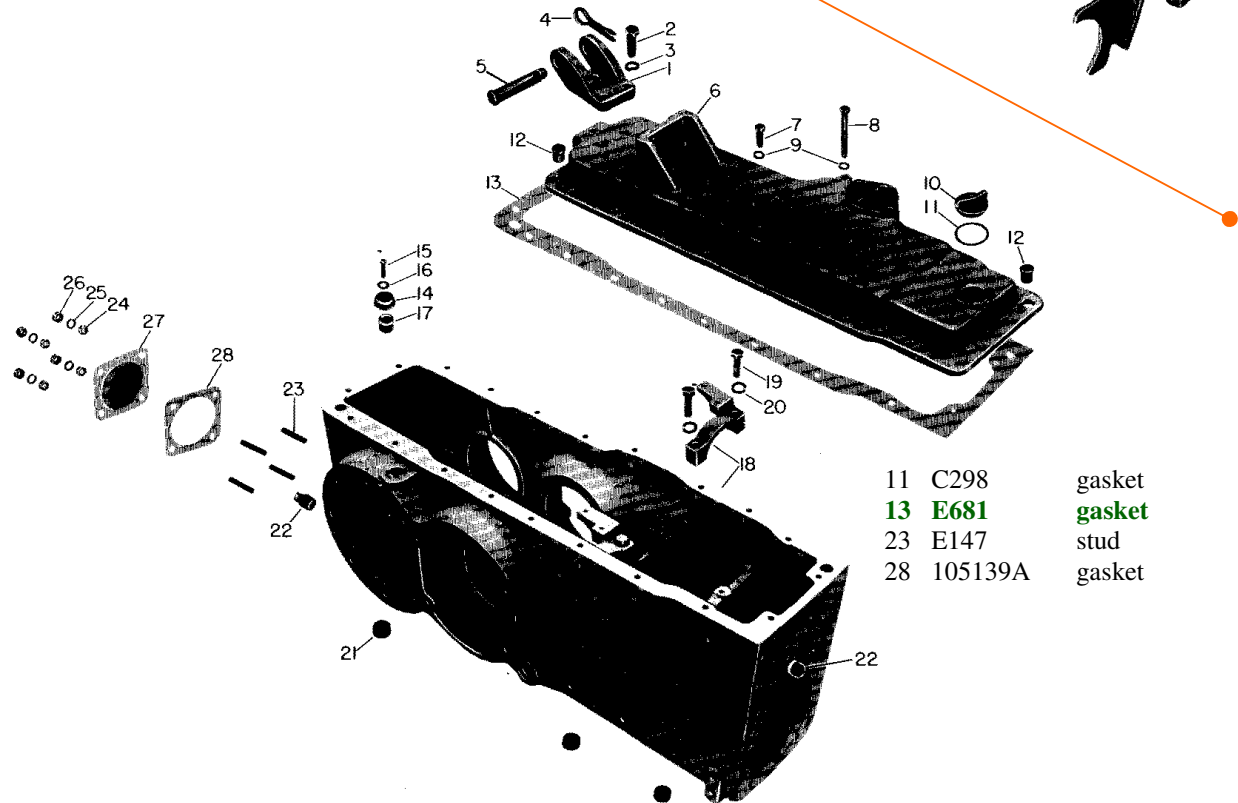
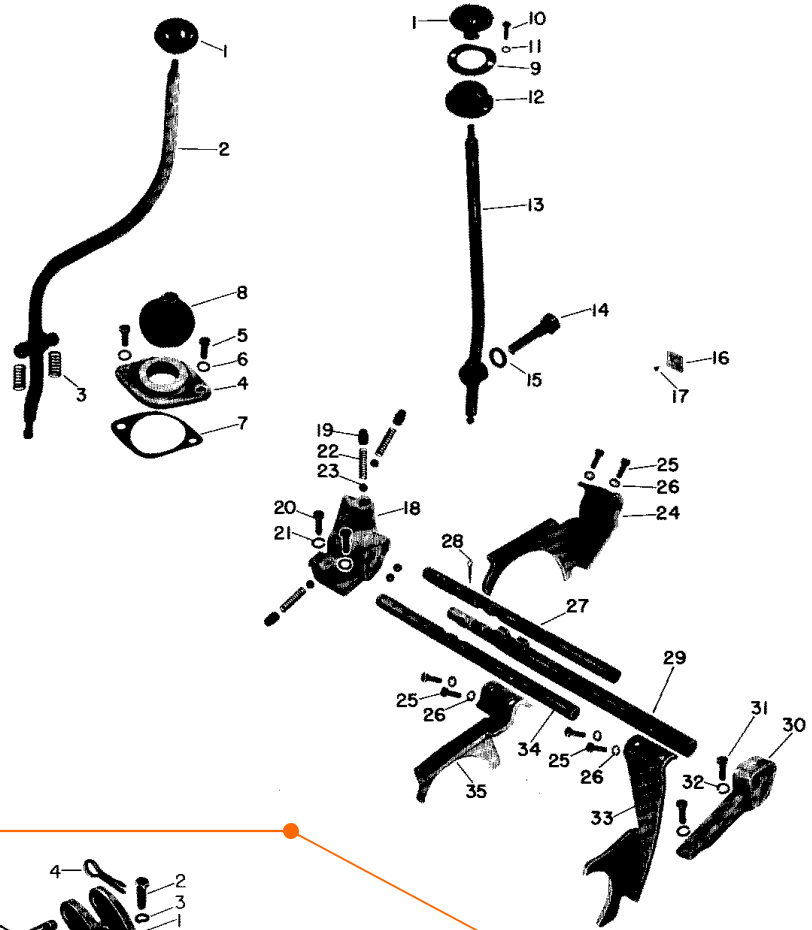


2	984323	bearing	18	E606	nut
5	100011A	gear 24 T	19	E601	nut
6	E1041	coupling	23	30-3022617	bearing
9	100010AS	gear 40 T	24	106682A	ring, snap
11	100009AS	gear 44 T	25	70925995	ring, snap
13	ES621	gear 40 T	26	E1037	shaft
17	983085	cup	29	162128A	washer
17	983088	cone	30	162129A	gear 33 T
			30	103677A	gear 28 T
			31	E617	washer
			36	70923931	o-ring
			37	E1039	nut
			38	ES611	gear 37 T
			39	E1022	sleeve
			46	70224837	bearing
			47	70052642	bearing
			48	100006A	countershaft
			49	100007A	gear 23 T
			50	100008A	gear 39 T
			51	107385A	ring, snap
			52	ES5003	bearing
			53	E617	washer
			54	ES1021	gear
			55	161885A	shaft

- 1 **72160047** knob
- 2 ES910 lever
- 3 **H912A** spring
- 4 E914 cover
- 7 E915 gasket
- 8 **BA916A** boot
- 12 K2060A boot
- 13 162885A lever
- 14 161770A pin
- 16 101433A shift pattern
Regular Transmission
- 16 162890A shift pattern
Shuttle Transmission
- 18 E629B bracket
- 22 **72160009** spring
- 23 **70917579** ball
- 24 100012A fork - regular
- 24 161764A fork - shuttle
- 27 E1624 rod - left
- 29 EAS1627 rod - center
- 33 E1631A fork - center
- 34 E1622 rod - right - regular
- 34 161761A rod - right - shuttle
- 35 E1629 fork - right



- 11 C298 gasket
- 13 **E681** gasket
- 23 E147 stud
- 28 105139A gasket

SHUTTLE

