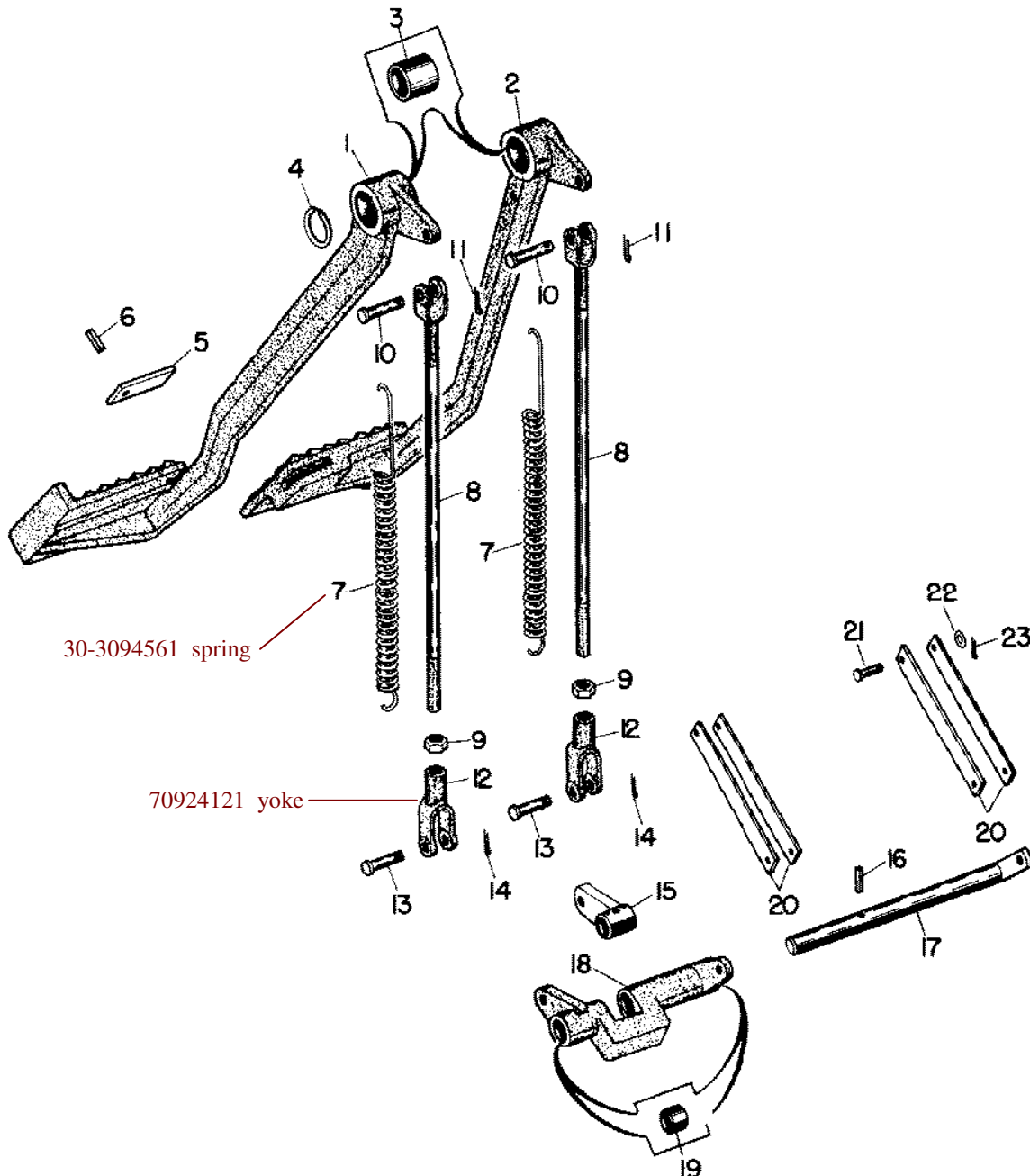
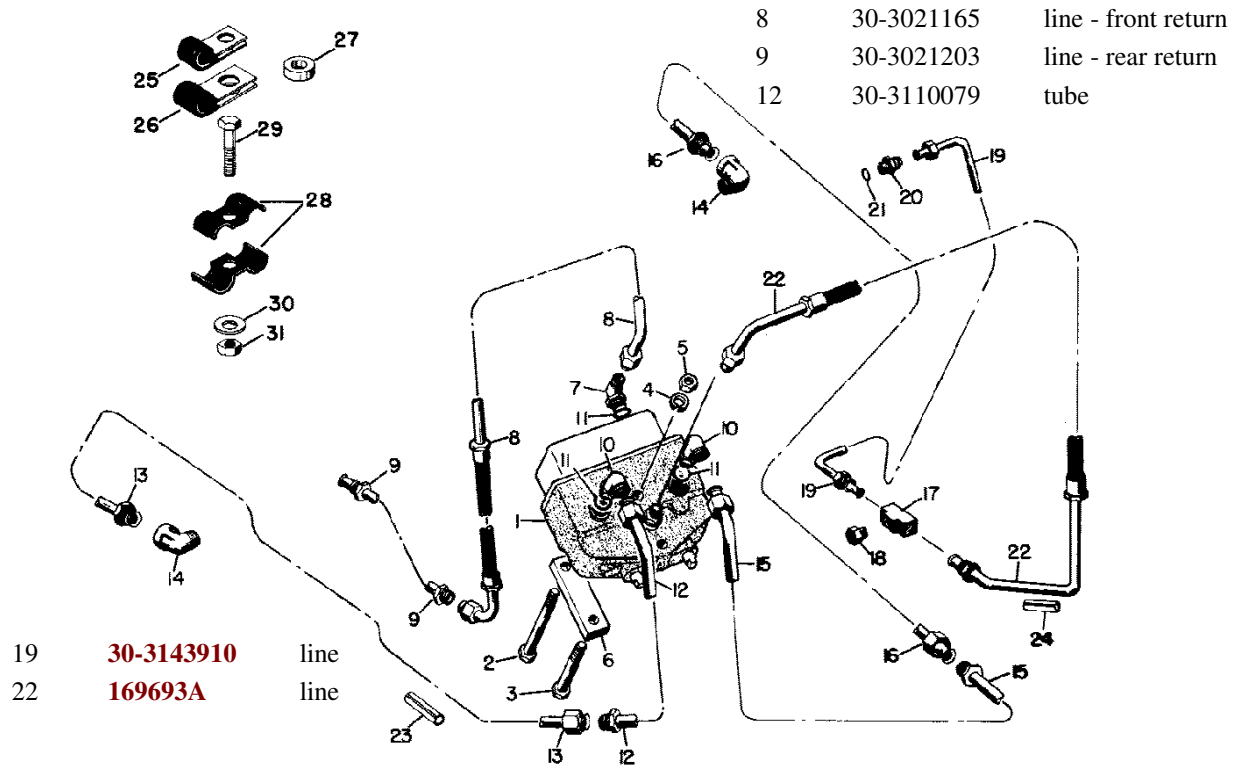


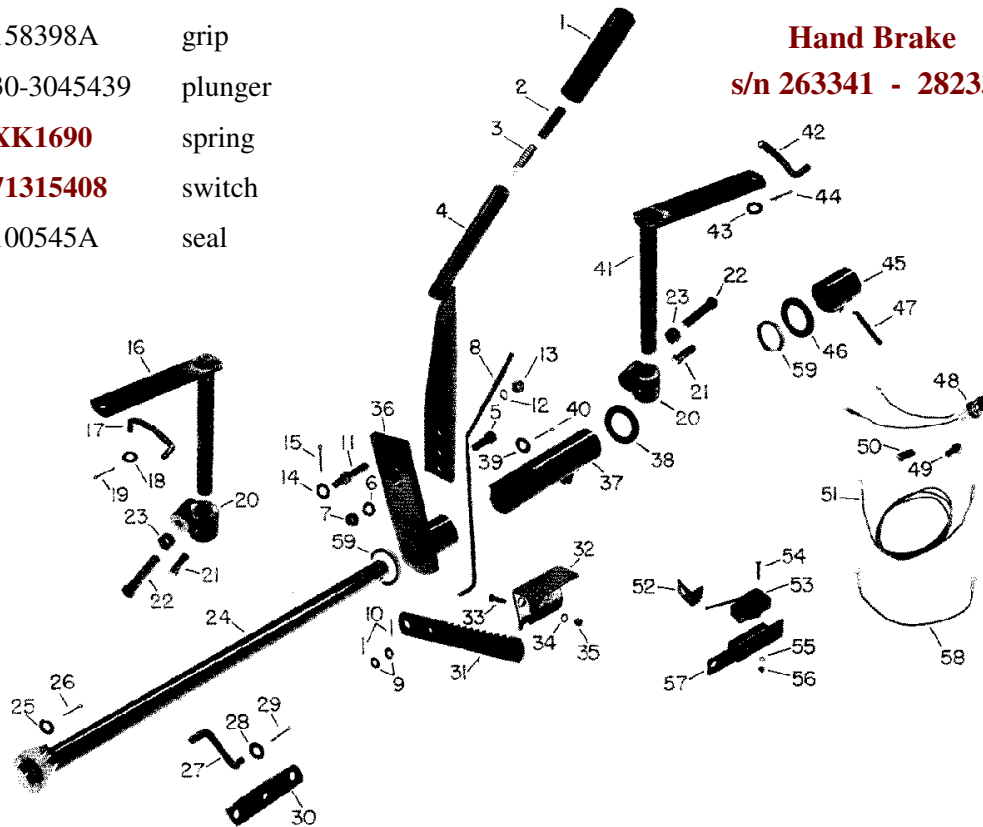
3	72162078	bushing	12	70924121	yoke
7	<b>30-3094561</b>	spring	18	30-3098249	bellcrank
8	30-3116379	rod	19	70936600	bushing



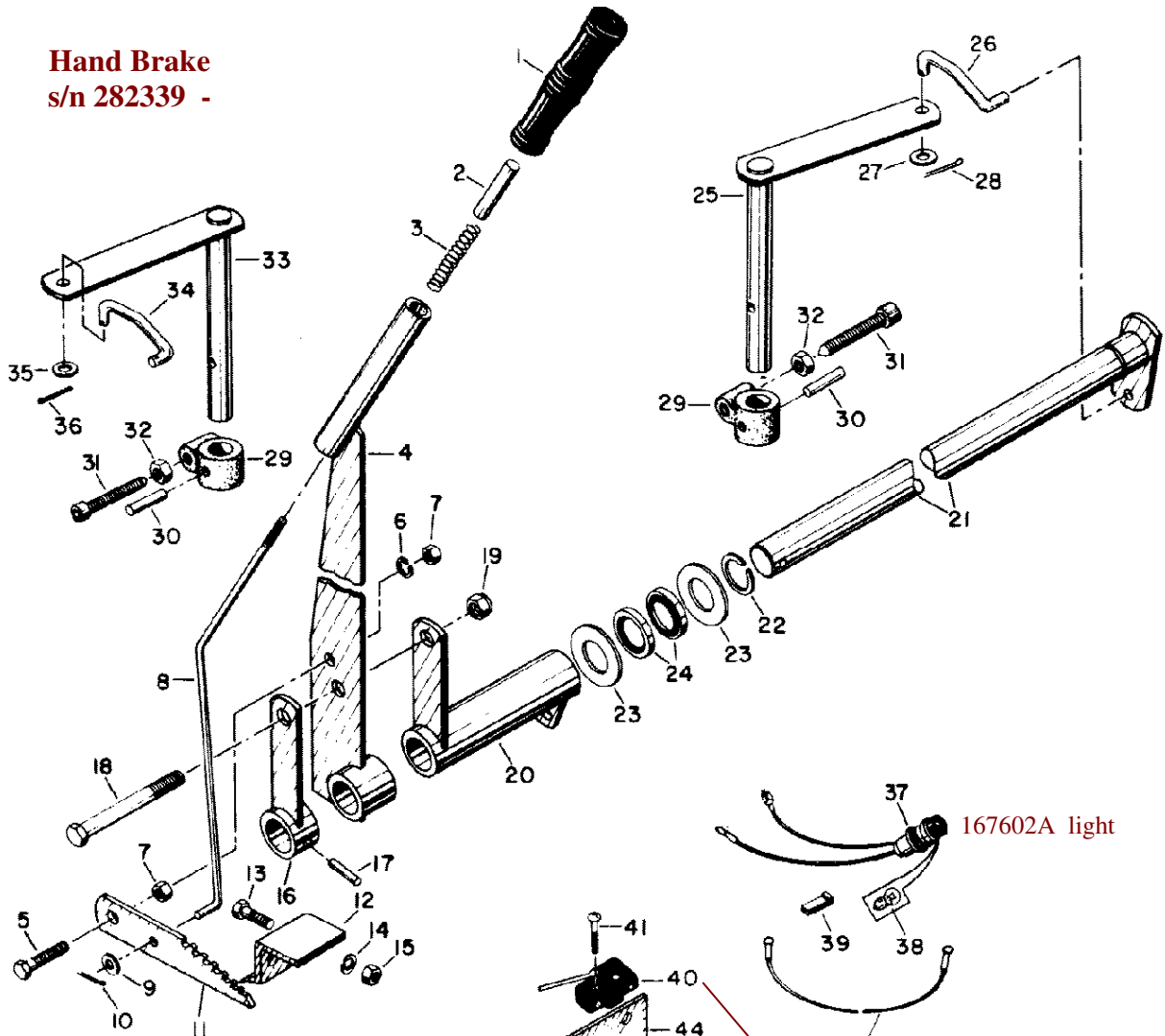


- |    |                 |         |
|----|-----------------|---------|
| 1  | 158398A         | grip    |
| 2  | 30-3045439      | plunger |
| 3  | <b>XK1690</b>   | spring  |
| 53 | <b>71315408</b> | switch  |
| 59 | 100545A         | seal    |

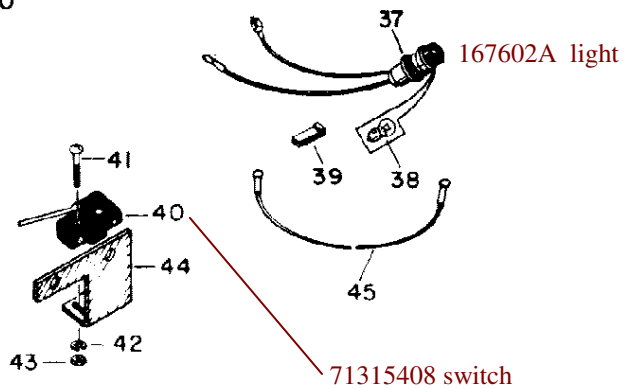
**Hand Brake**  
s/n 263341 - 282338



**Hand Brake**  
s/n 282339 -



- |    |                 |                    |
|----|-----------------|--------------------|
| 1  | 158398A         | grip               |
| 2  | 30-3045439      | plunger            |
| 3  | <b>XK1690</b>   | spring             |
| 4  | 30-3204189      | lever              |
| 8  | 30-3204170      | rod                |
| 12 | 30-3201112      | stop - without cab |
| 12 | 30-3201104      | stop - with cab    |
| 24 | <b>100545A</b>  | seal               |
| 37 | 167602A         | light              |
| 38 | <b>167258A</b>  | bulb               |
| 40 | <b>71315408</b> | switch             |



1	625343	cap	28	155626A	ring
6	168349A	screw, bleed	29	70930861	o-ring
7	30-3050858	seal	30	30-3065294	plug
8	70931857	o-ring	32	167956A	roller
9	70925788	o-ring	33	105699A	race
10	30-3062864	piston			
11	168492A	insulator			
12	30-3073246	disc			
14	30-3135241	brake			
15	168487A	plate			
16	30-3302466	seal			
21	72161739	spring			
25	70923596	o-ring			

