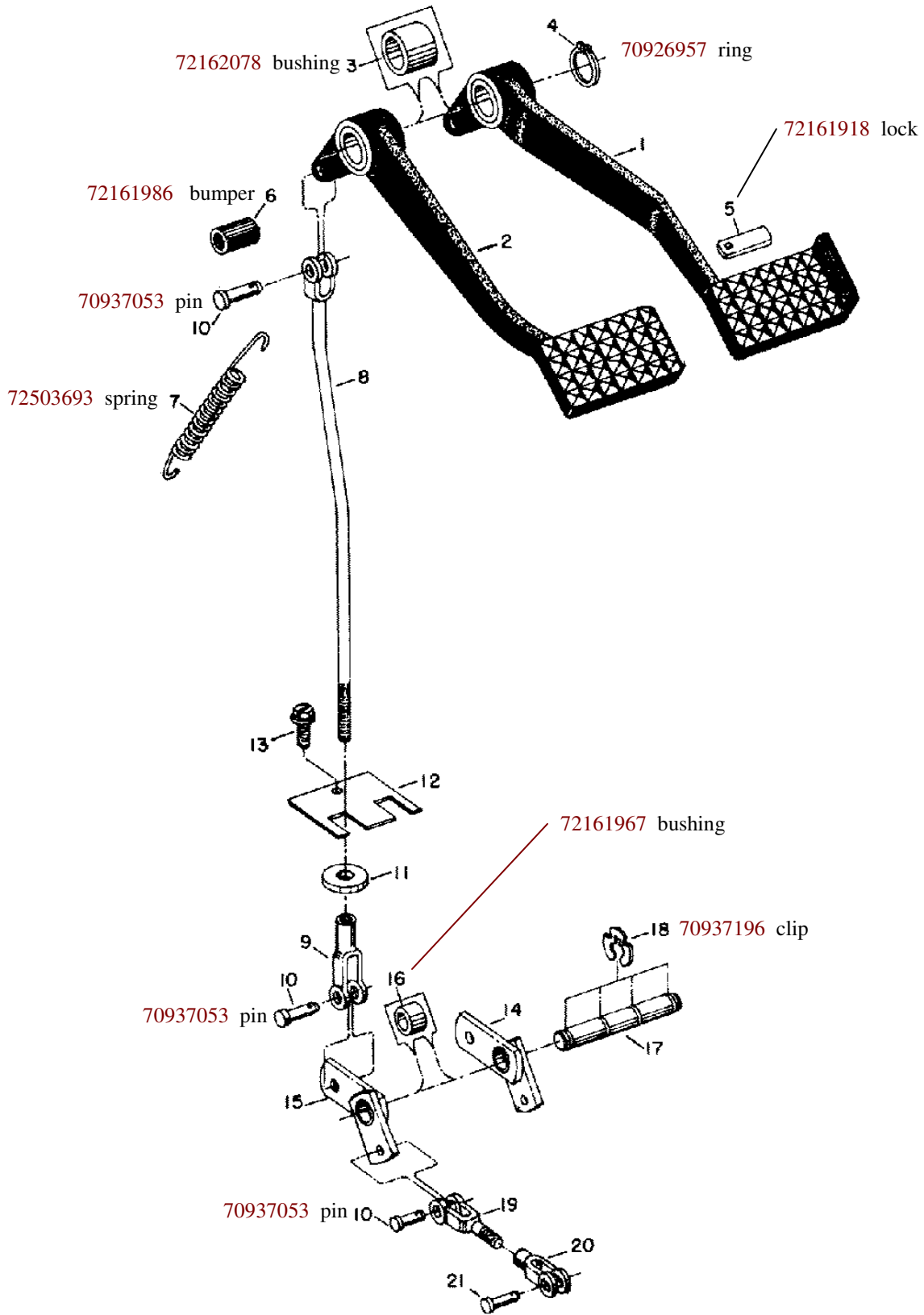
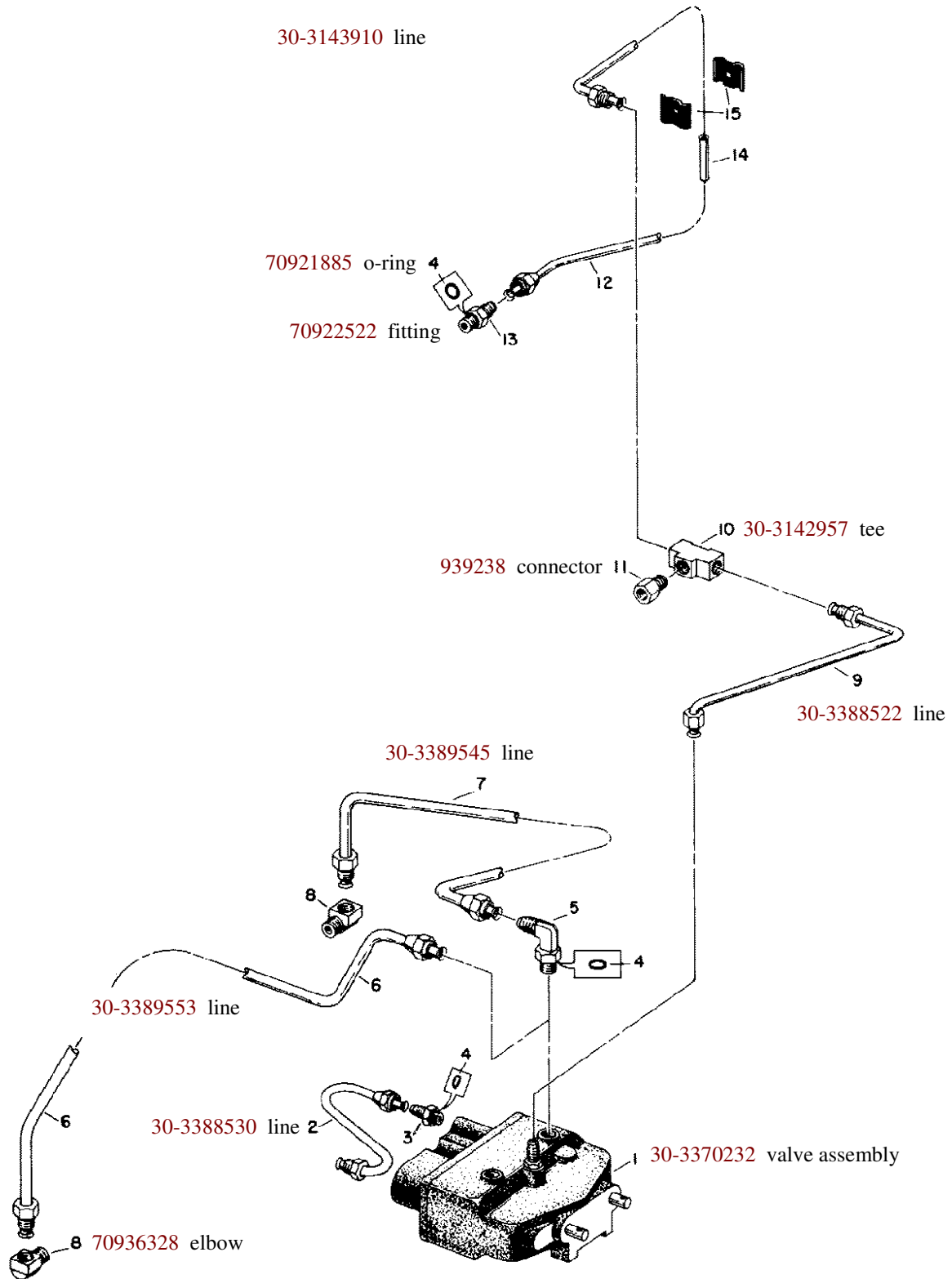


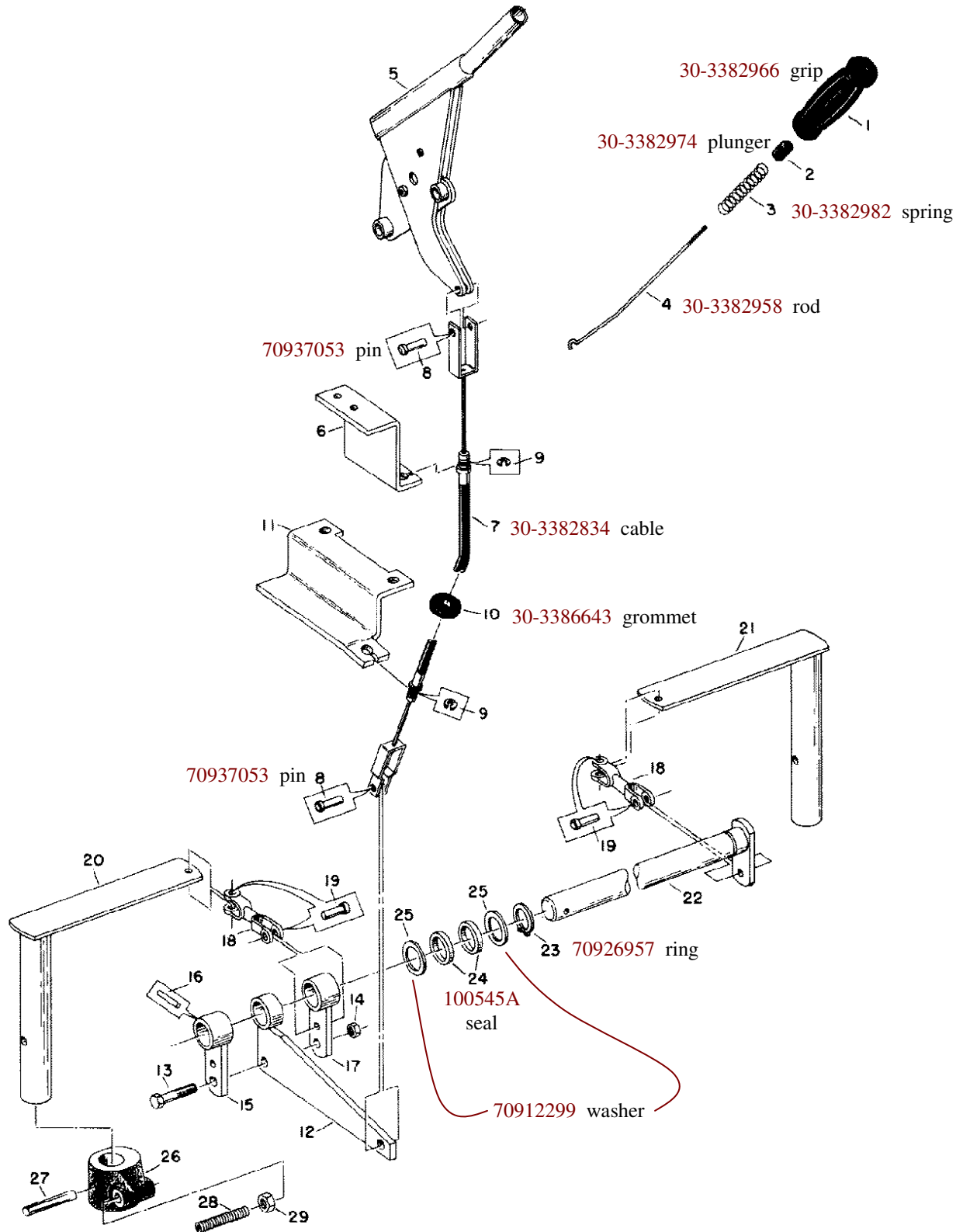
WHITE

2-110

WHITE







6	168349A	screw, bleed	21	72161739	spring
7	30-3050858	seal	25	70923596	o-ring
	can also use 100545A seal		30	982754	cup
8	70931857	o-ring	31	982755	cone
9	70925788	o-ring	32	155626A	ring
10	30-3062864	piston	33	70930861	o-ring
11	168492A	insulator	34	30-3065294	plug
12	30-3073246	disc	35	30-3045072	pinion
14	30-3135241	brake	36	167956A	roller
15	168487A	plate	37	163624A	race
16	30-3302466	seal			

